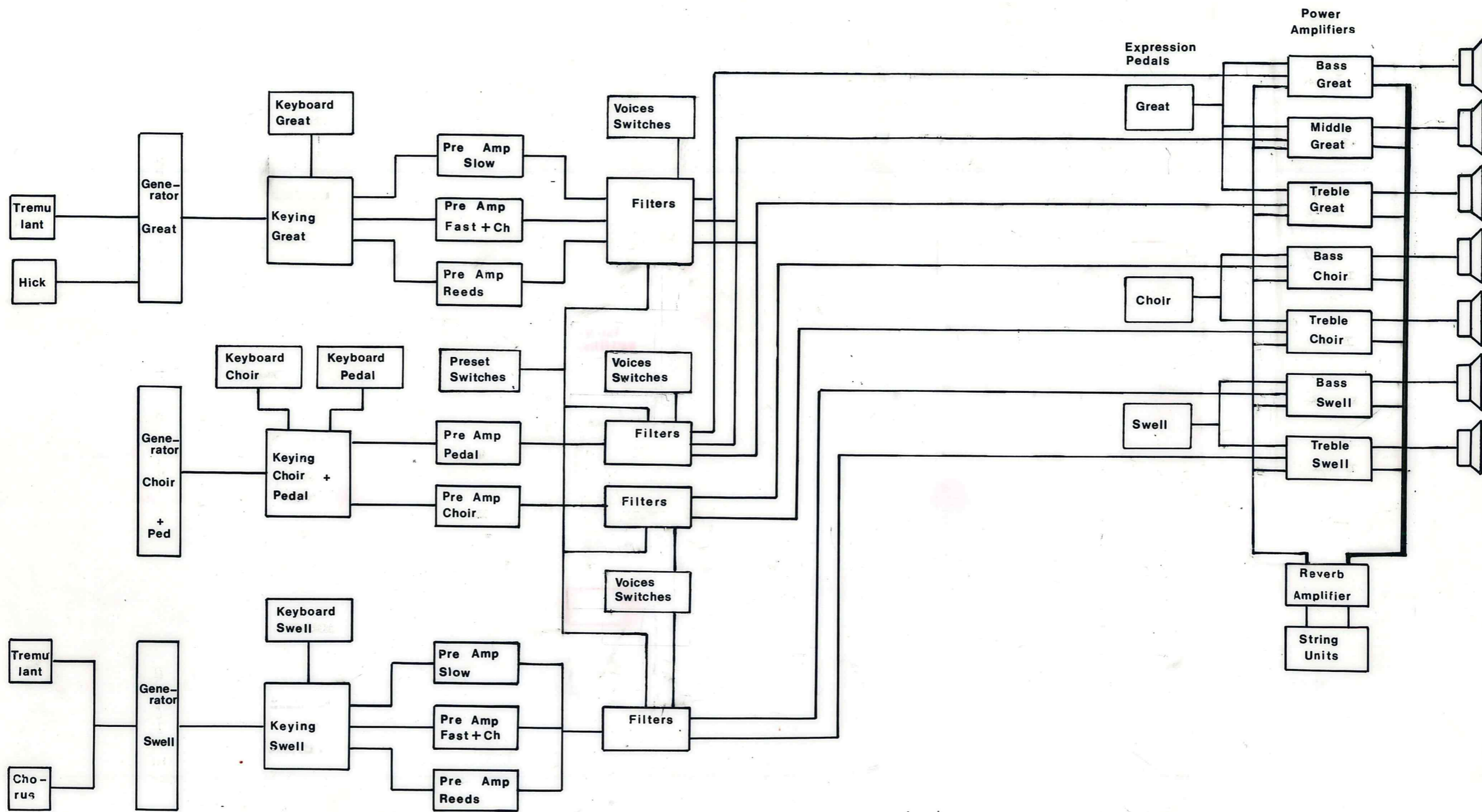


page.  
 24  
 4  
 4  
 4  
 22  
 5,6  
 3  
 8-12  
 3  
 1

page 20

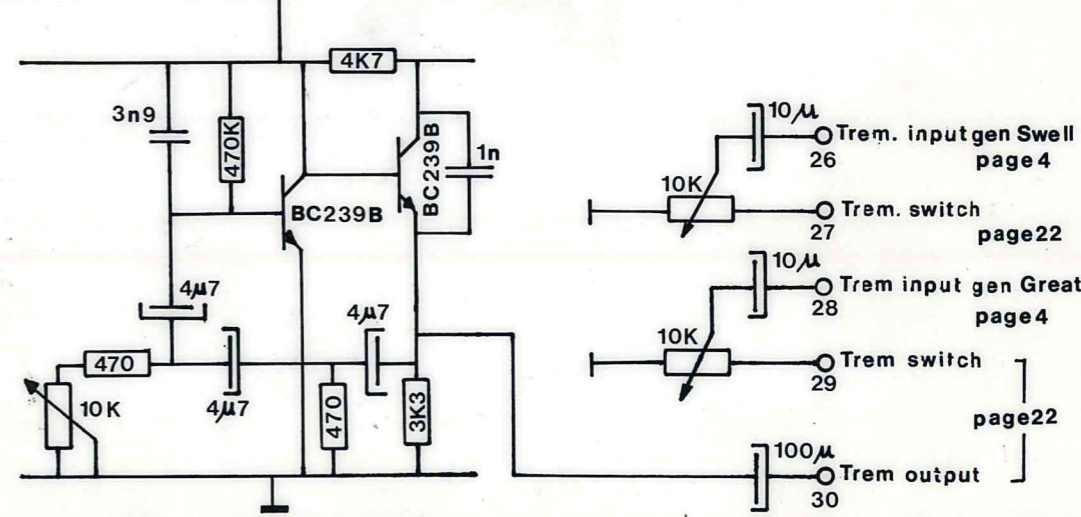
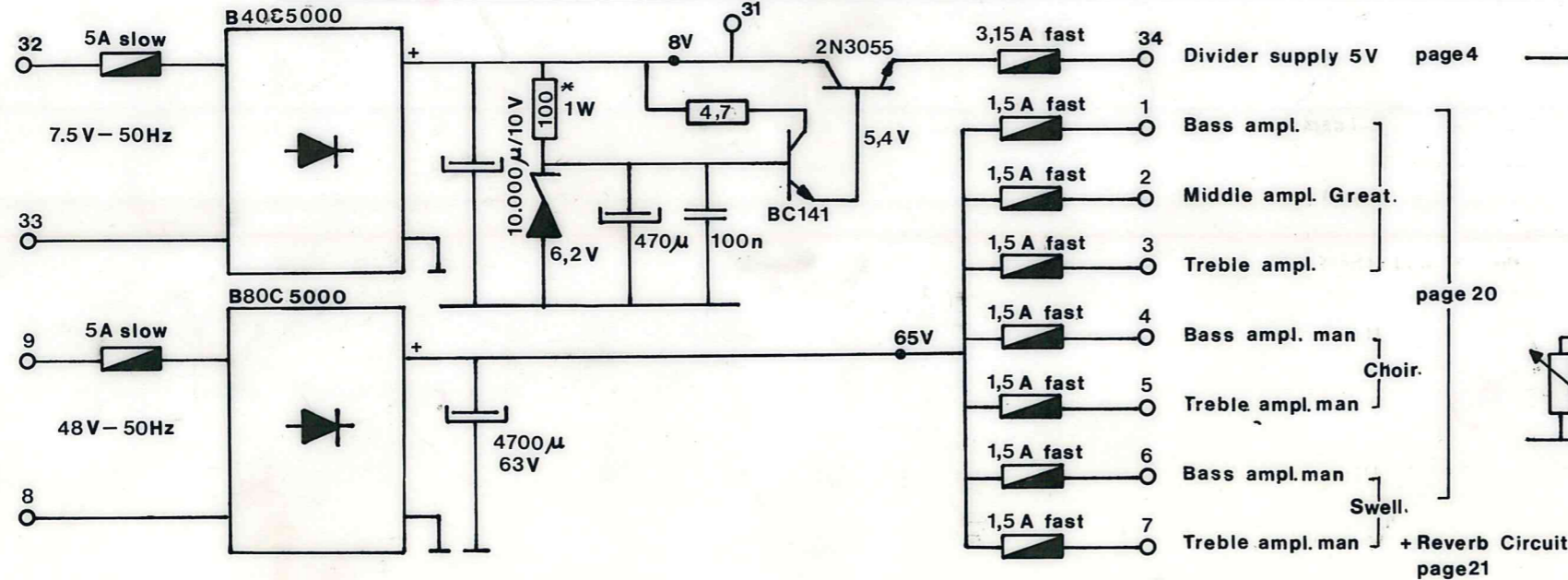
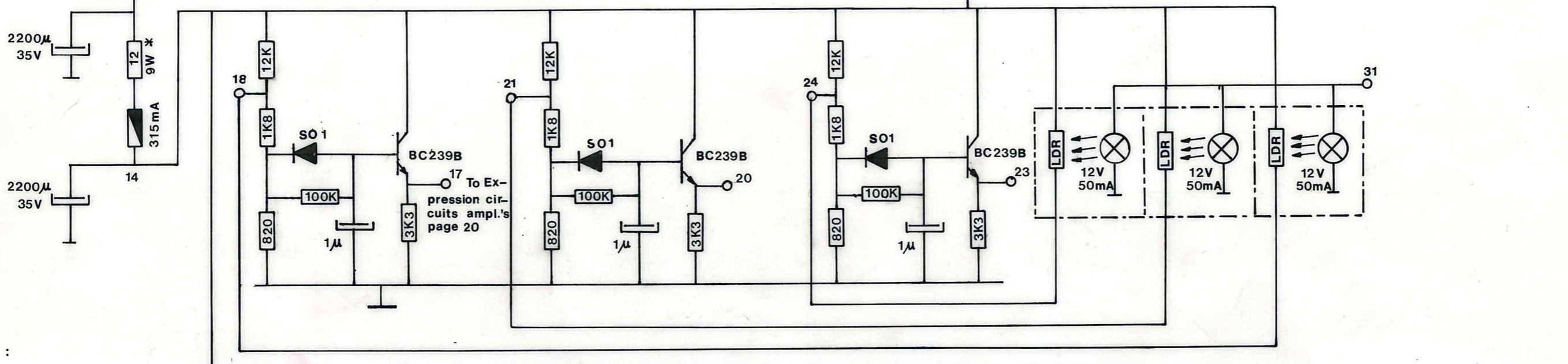
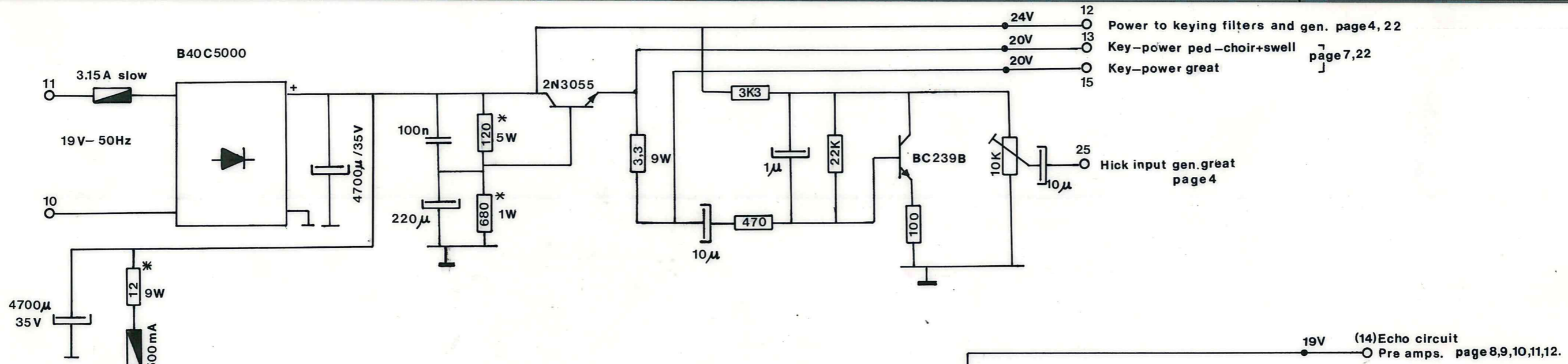
page 21

POWER BLOCK DIAGRAM					
Drawn	Date	Modified	Date	JOHANNUS ORGAN OPUS 60	
G Kremer	16-8-78				
DESIGN					
J. Versteegt					
copyright: J. VERSTEEGT		JOHANNUS ORGELBOUW b.v.		morsestraat 28 6716 AH EDE HOLLAND Tel. 08380-19148*	
					page: 1



SIGNAL BLOCK DIAGRAM					
Drawn	Date	Modified	Date	JOHANNUS ORGAN OPUS 60	
G Kremer	16-8-78				
DESIGN					
J. Versteegt					
copyright: J. VERSTEEGT		JOHANNUS ORGELBOUW b.v.		morsestraat 28 6716 AH EDE HOLLAND Tel. 08380-19148*	
				page:	2



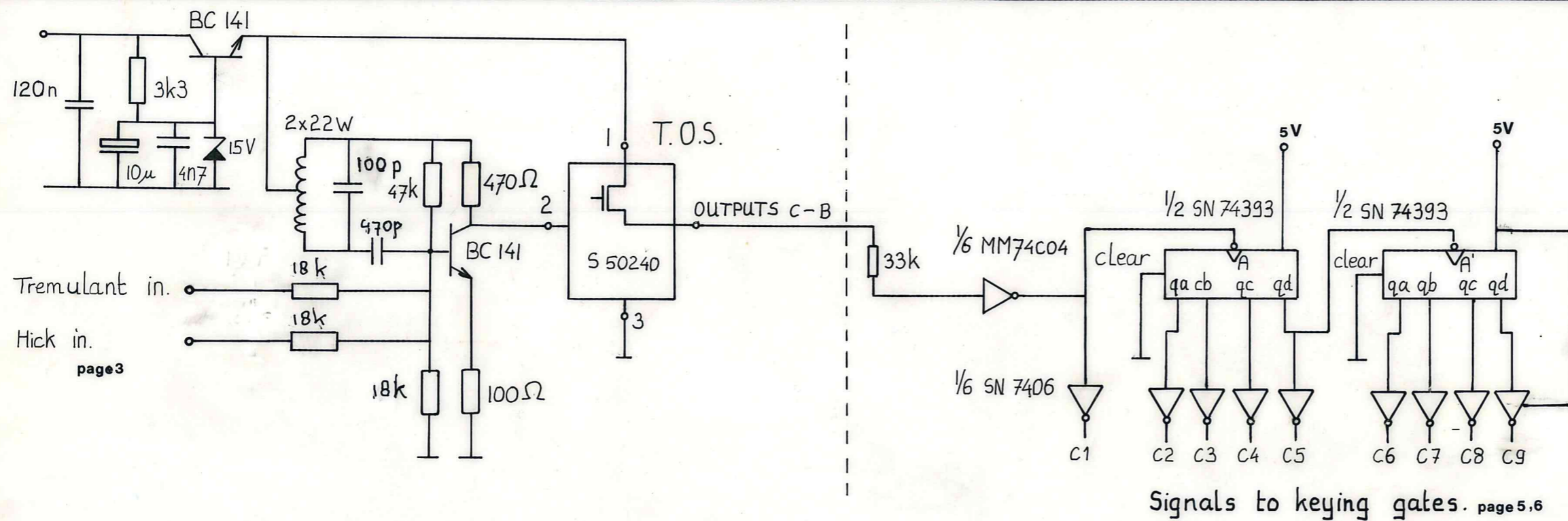


Trafo: 220 V / 7,5 V~  
48 V~  
19 V~  
200 VA

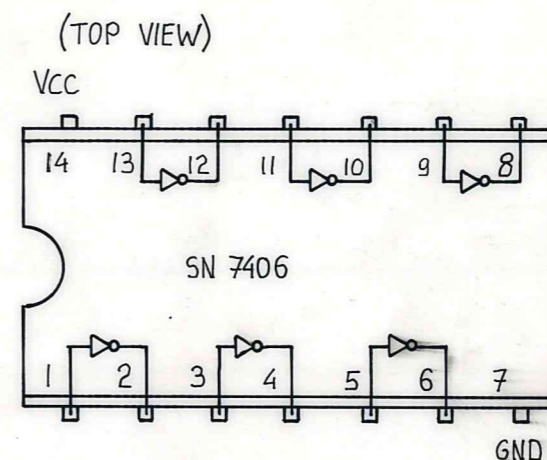
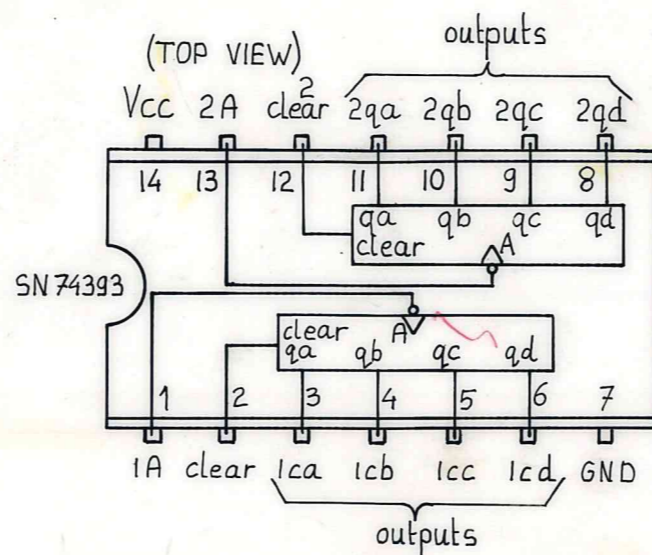
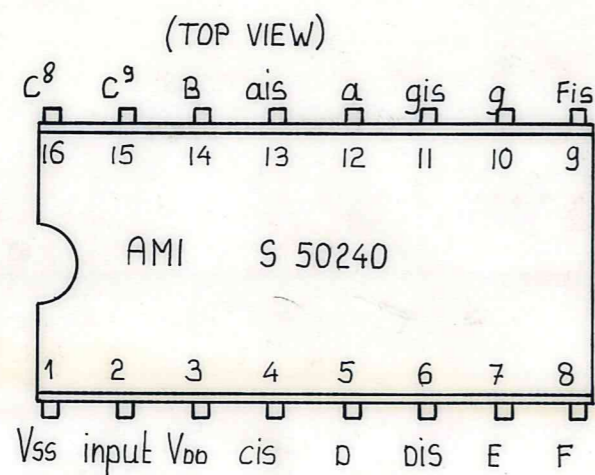
\* On ceramic stand-off's

POWER SUPPLY				JOHANNUS ORGAN OPUS 60
Drawn	Date	Modified	Date	
G.Kremer	7-8-'78	KvM	19 11 79	
DESIGN				
J.Versteegt				
copyright: J. VERSTEEGT		JOHANNUS ORGELBOUW b.v.		morsestraat 28 6716 AH EDE HOLLAND Tel. 08380-19148*
				page: 3



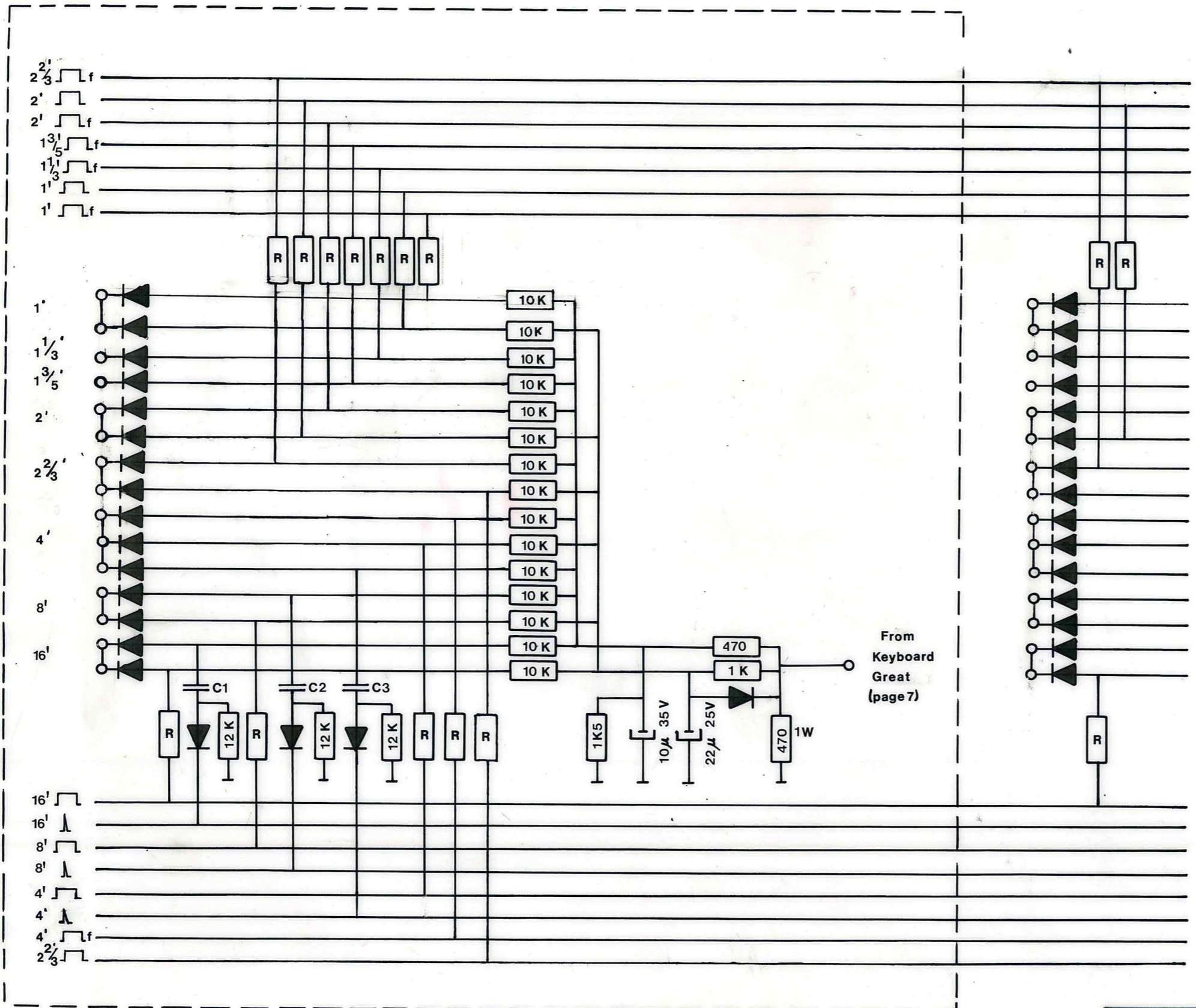


Tremulant in.  
Hick in.  
page 3



TONE GENERATOR				JOHANNUS ORGAN OPUS 60 <sup>n</sup>
DATE	DESIGN	DRAWN	MODIFIED	
9 12-77	J Versteegt	Tv Manen	19 11 79	
copyright J VERSTEEGT			ELECTRONIUM Morsestraat 28 Ede Holland tel: 08380-19148	4





To Pre-Amp's  
(page 8,9)

From lowest octave	C1	C2	C3
1 - 12	33n	33n	22n
13-24	22n	22n	15n
25-36	15n	15n	10n
37-48	10n	10n	4n7
49-61	6n8	6n8	1n8

From lowest octave	R
1 - 8	68 K
9 - 16	56 K
17-24	47 K
25-32	39 K
33-40	33 K
41-47	27 K
48-54	22 K
55-61	18 K

To Pre-Amp's  
(page 8,9,10)

From  
Generator  
page 4

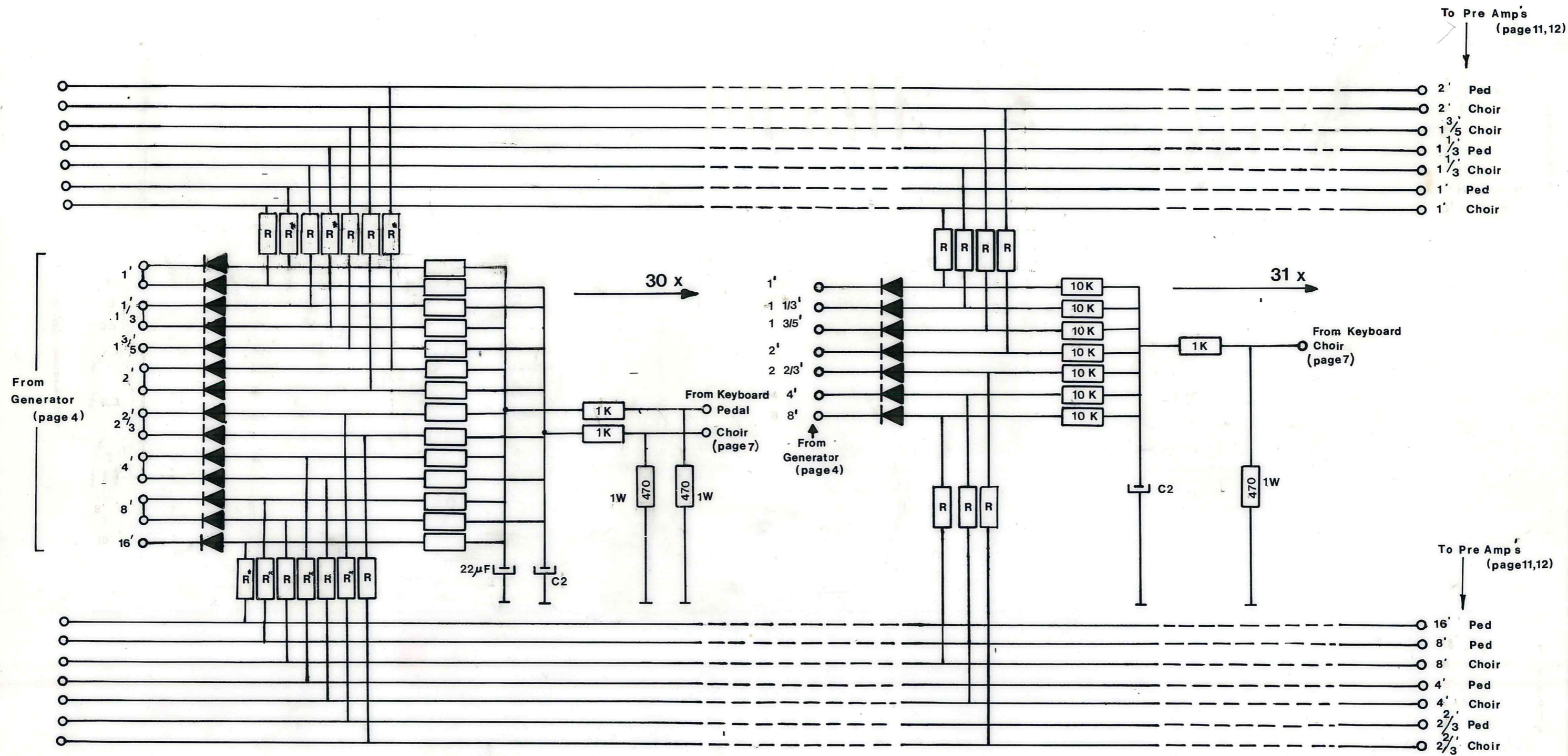
From  
Keyboard  
Great  
(page 7)

SO1

61 X

KEYING GREAT and SWELL			
Drawn	Date	Modified	Date
G Kremer	11-8-78		
DESIGN			
J. Versteegt			
copyright:		JOHANNUS	
J. VERSTEEGT		ORGELBOUW b.v.	
		morsestraat 28 6716 AH EDE HOLLAND Tel. 08380-19148*	
			page: 5

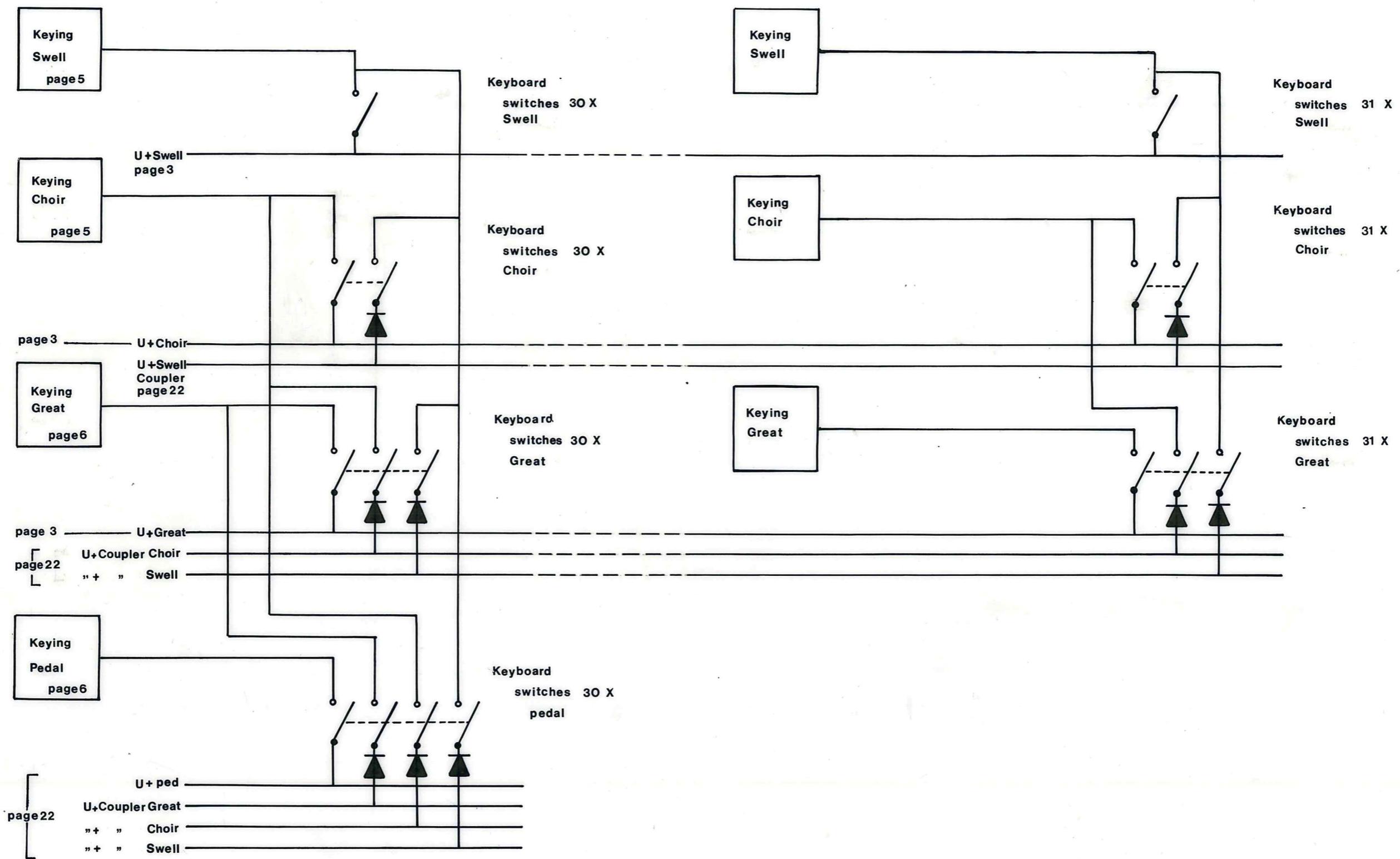




- R from lowest octave:
- 1 - 8 : 68 K
  - 9 - 16 : 56 K
  - 17 - 24 : 47 K
  - 25 - 32 : 39 K
  - 33 - 40 : 33 K
  - 41 - 47 : 27 K
  - 48 - 54 : 22 K
  - 55 - 61 : 18 K
- C2 From lowest octave
- 1 - 31 : 22µF
  - 32 - 41 : 10µF
  - 42 - 61 : 4,7µF
- R\*: 33 K

KEYING CHOIR and PEDAL			
Drawn	Date	Modified	Date
G. Kremer	24-8-'78		
DESIGN			
J. Versteegt			
copyright: J. VERSTEEGT		JOHANNUS ORGELBOUW b.v.	morsestraat 28 6716 AH EDE HOLLAND Tel. 08380-19148*
			page: <b>6</b>





KEYBOARD SWITCHES & COUPLER SYSTEM					
Drawn	Date	Modified	Date	JOHANNUS ORGAN OPUS 60	
G Kremer	14-8-'78				
DESIGN					
J. Versteegt					
copyright: J. VERSTEEGT		JOHANNUS ORGELBOUW b.v.		morsestraat 28 6716 AH EDE HOLLAND Tel. 08380-19148*	
				page:	7



from keying (pages 5)

2<sup>2</sup>/<sub>3</sub> slow

1<sup>3</sup>/<sub>5</sub> sl

1' sl

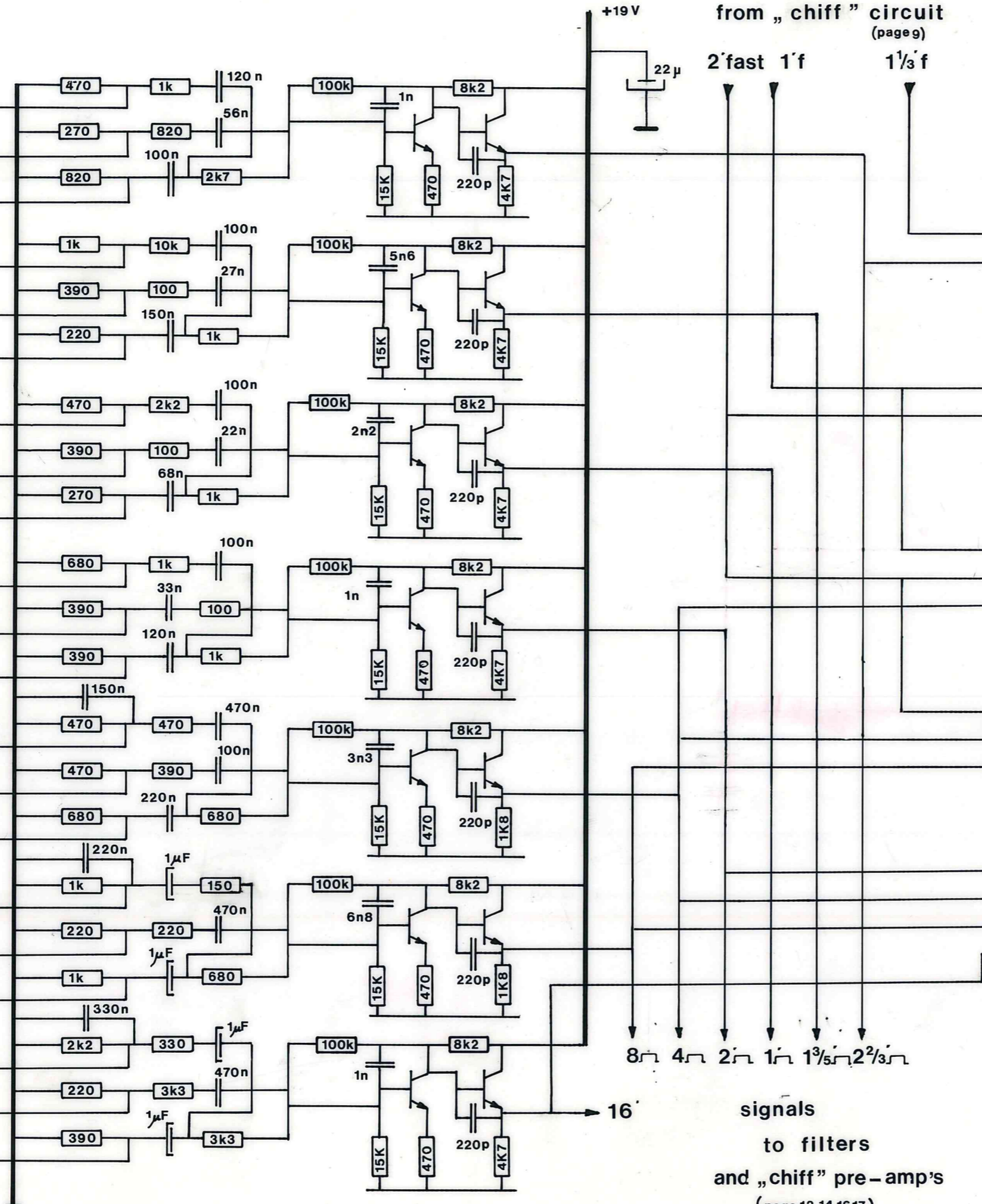
2' sl

4' sl

8' sl

16' sl

b  
tr  
m  
b  
tr  
m  
b  
tr  
m  
b  
tr  
m  
b  
tr  
m  
b  
tr  
m



+19V from „chiff” circuit (page 9)

2' fast 1' f 1<sup>1</sup>/<sub>3</sub> f

+19V

8' 4' 2' 1' 1<sup>3</sup>/<sub>5</sub>' 2<sup>2</sup>/<sub>3</sub>'

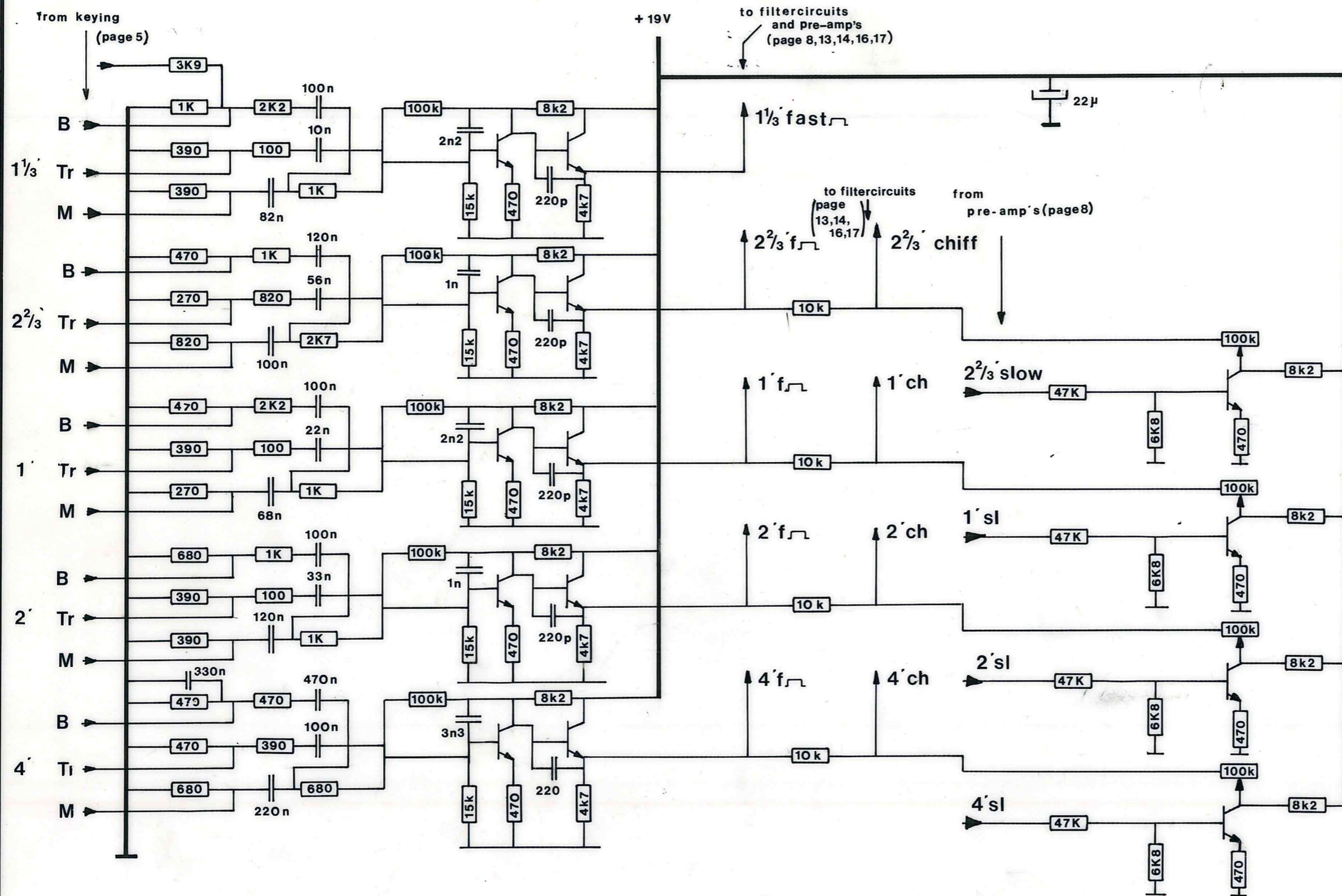
signals to filters and „chiff” pre-amp's (page 13,14,16,17.)

complex signals to filters (page 13,14,16,17.)

All transistors BC 239 b

PRE-AMPLIFIERS GREAT and SWELL				JOHANNUS ORGAN OPUS 60
drawn	date	modified	date	
T v manen	5-7-78			
DESIGN				page: 8
J Versteegt				
copyright:	JOHANNUS	morsstraat 28		
J VERSTEEGT	ORGELBOUW b.v.	6716 AH EDE HOLLAND		
		Tel: 08380-19148 *		





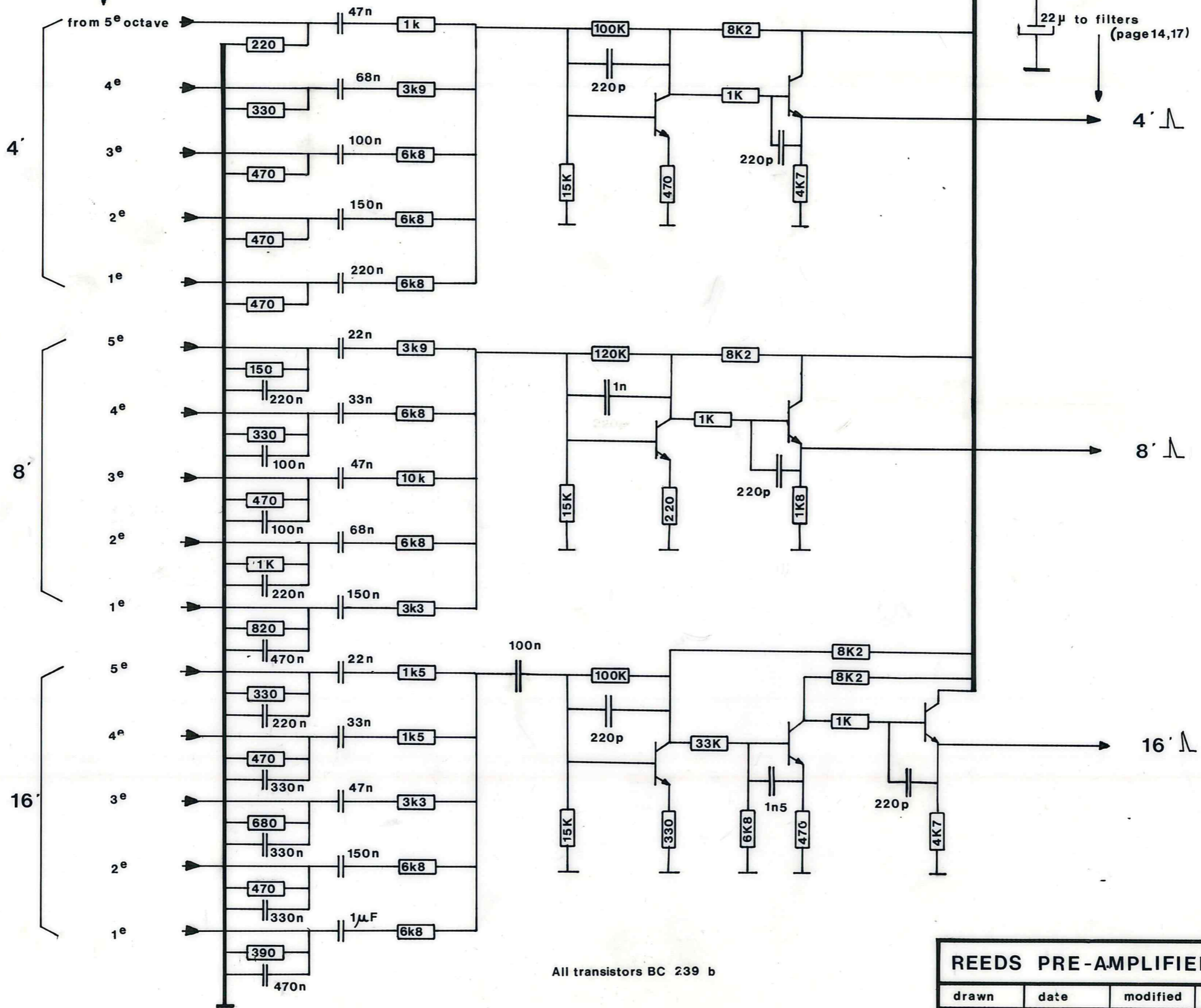
All transistors BC 239 b

" CHIFF " PRE-AMPLIFIER GREAT and SWELL			
drawn	date	modified	date
T v Manen	30-6-78		
DESIGN			
J Versteegt			
copyright:		JOHANNUS ORGELBOUW b.v.	
J. VERSTEEGT		morsestraat 28 EDE Holland Tel: 19148	
			page:
			9

JOHANNUS  
ORGAN  
OPUS 60



signals from keying (Λ)  
(page 5)



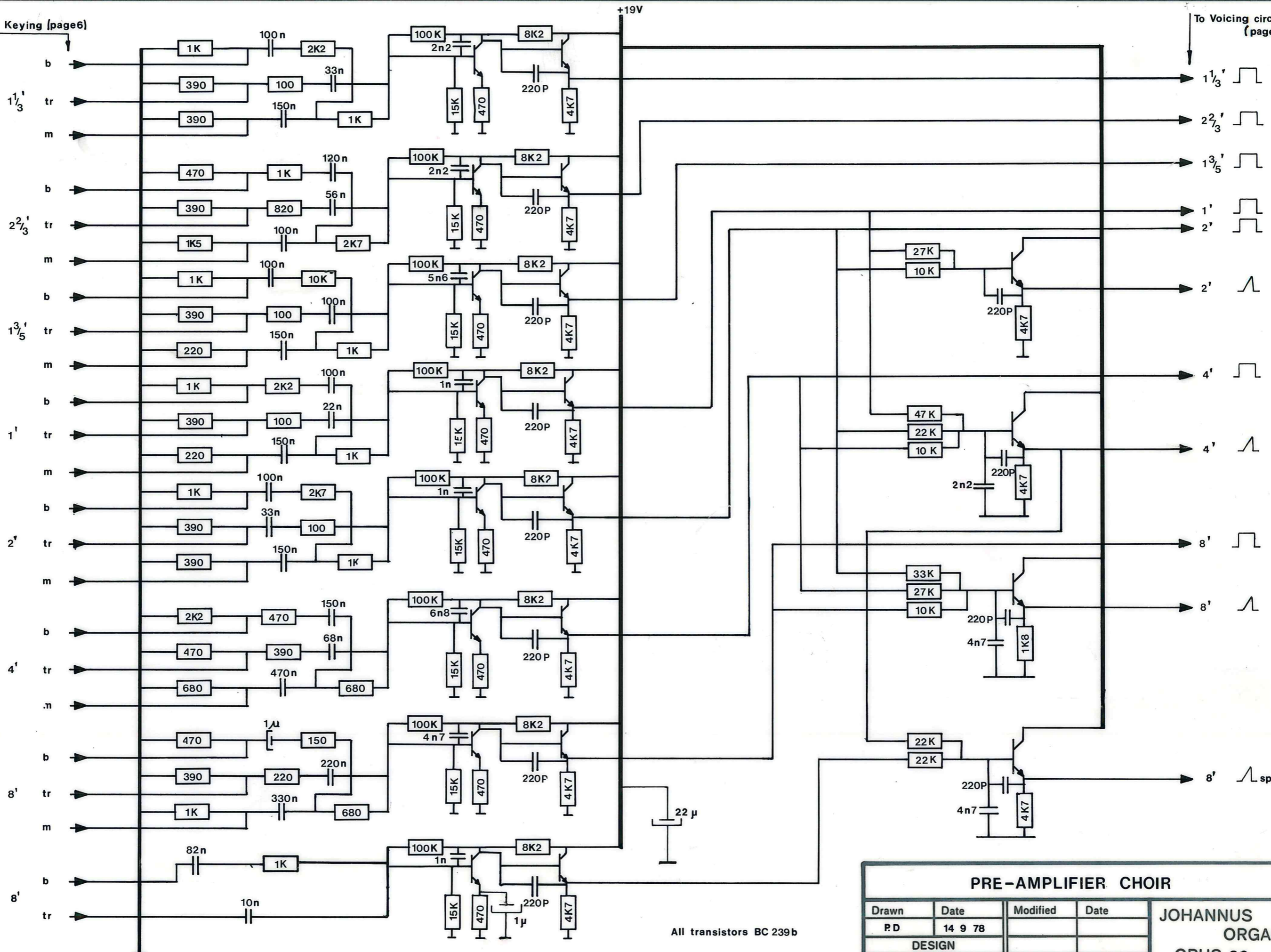
All transistors BC 239 b

REEDS PRE-AMPLIFIER GREAT and SWELL			
drawn	date	modified	date
TvManen	30-6-78	J Versteegt	3-9-80
DESIGN		J Versteegt	7-4-81
J Versteegt			
copyright		JOHANNUS ORGELBOUW b.v.	
J. VERSTEEGT		morsestraat 28 EDE Holland Tel: 08380-19148	
			page: 10



From Keying (page 6)

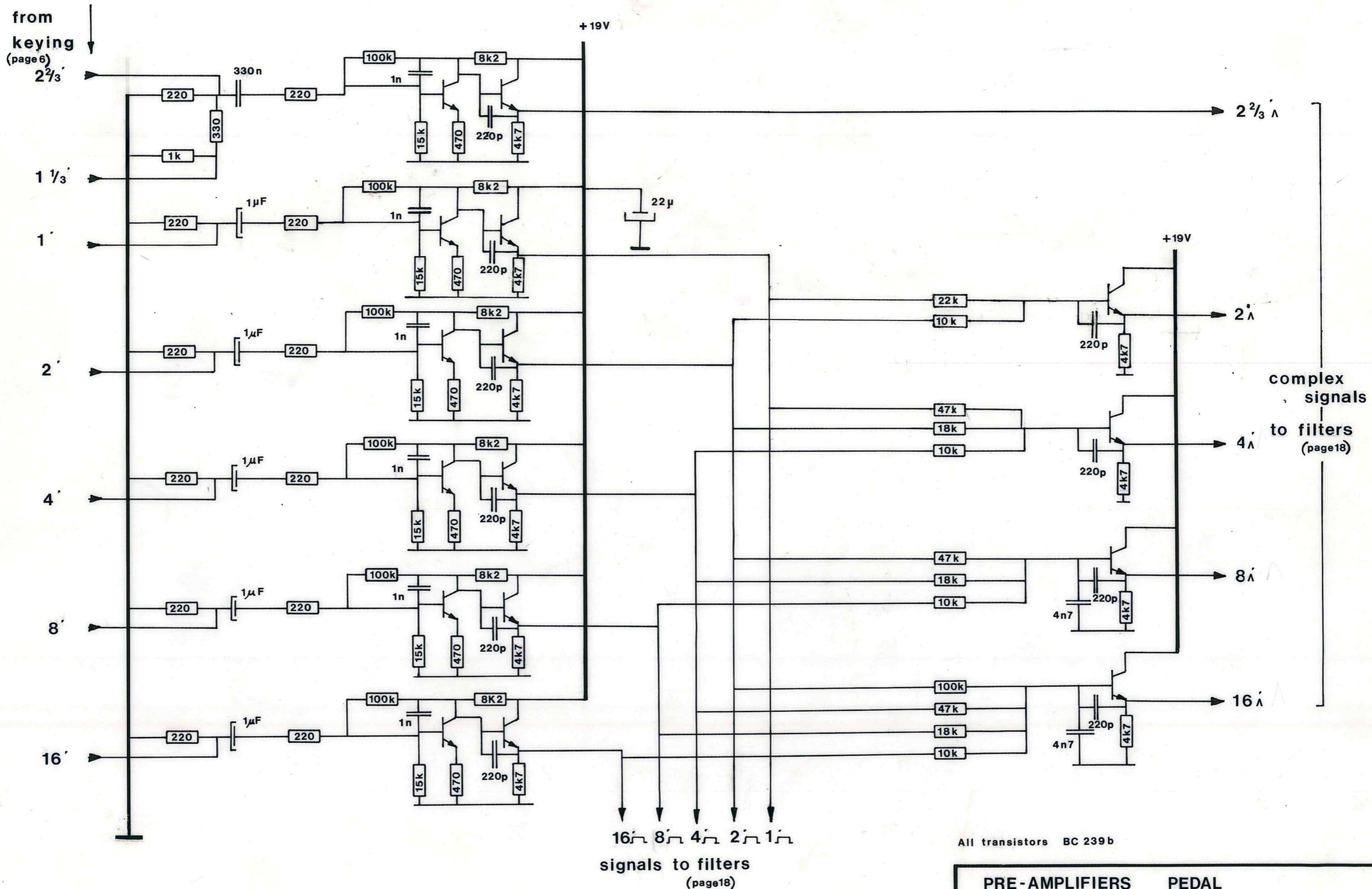
To Voicing circuit (page 15)



All transistors BC 239b

PRE-AMPLIFIER CHOIR			
Drawn	Date	Modified	Date
P.D	14 9 78		
DESIGN			
J Versteegt			
copyright:		JOHANNUS	
J. VERSTEEGT		ORGELBOUW b.v.	
		morsestraat 28 6716 AH EDE HOLLAND Tel. 08380-19148*	
			page: 11

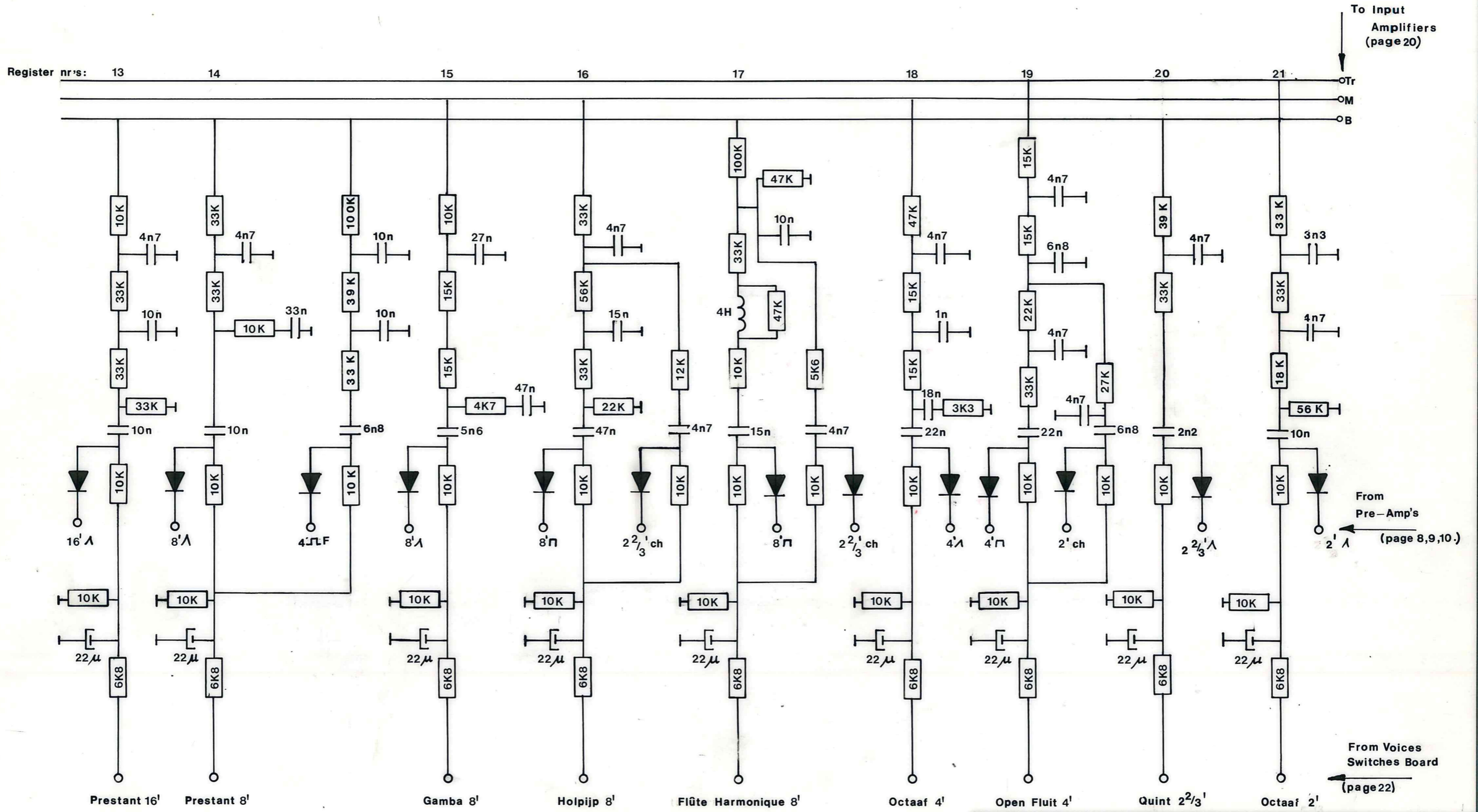




All transistors BC 239 b

PRE-AMPLIFIERS PEDAL				JOHANNUS ORGAN OPUS 60
drawn	date	modified	date	
T v Manen	11-7-78			
DESIGN				
J. Versteegt				
copyright: J. VERSTEEGT		JOHANNUS ORGELBOUW b.v.		morsestraat 6716 AH EDE HOLLAND Tel: 09380-19148 *
				page: 12





All diodes SO1

VOICES GREAT				JOHANNUS ORGAN OPUS 60
Drawn	Date	Modified	Date	
G. Kremer	9-8-'78			
DESIGN				JOHANNUS ORGELBOUW b.v. morsestraat 28 6716 AH EDE HOLLAND Tel. 08380-19148*
J Versteegt				
copyright: J. VERSTEEGT				page: 13



Register nr's: 22

23

24

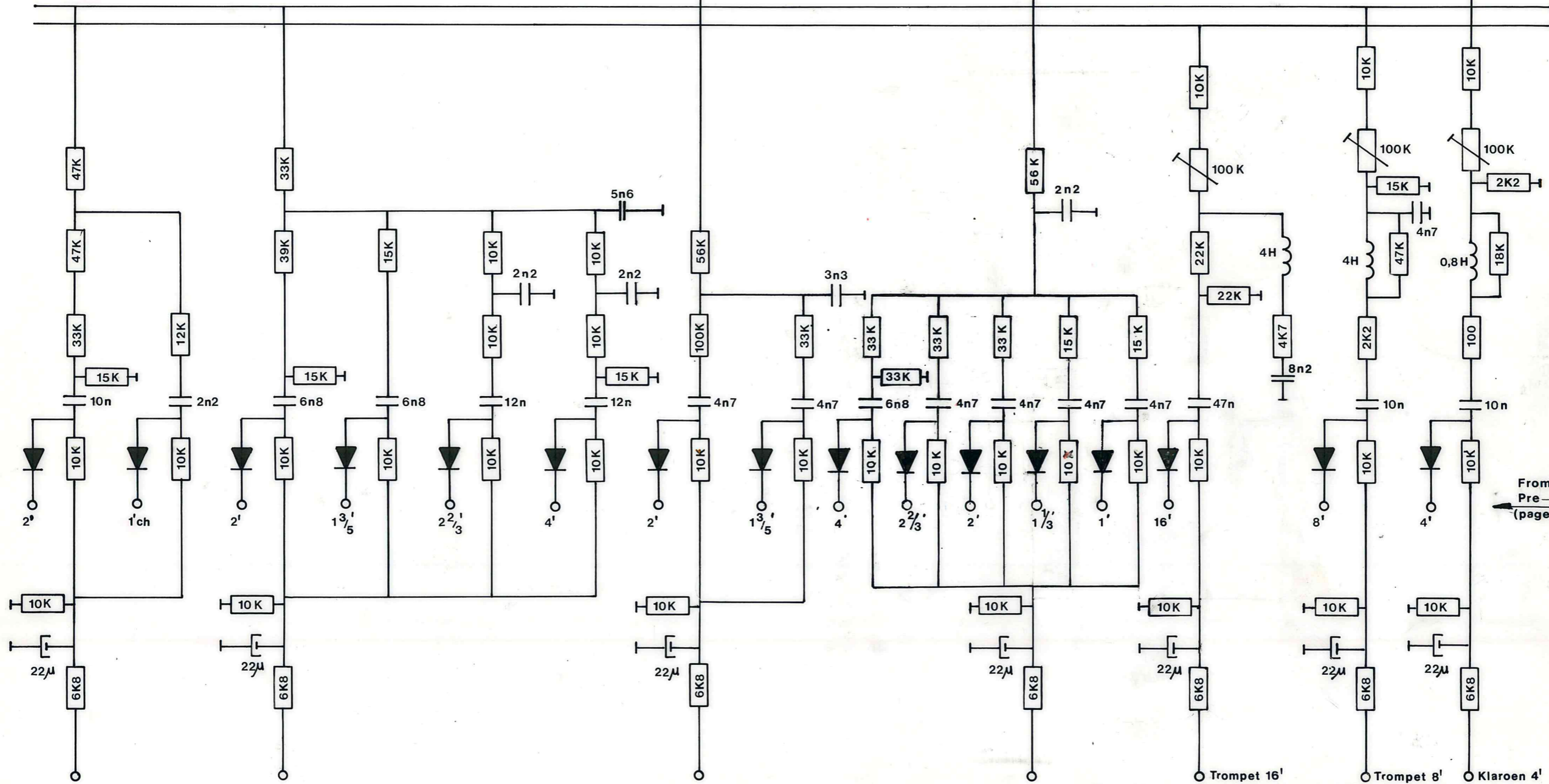
25

26

27

28

To input Amplifiers (page 20)



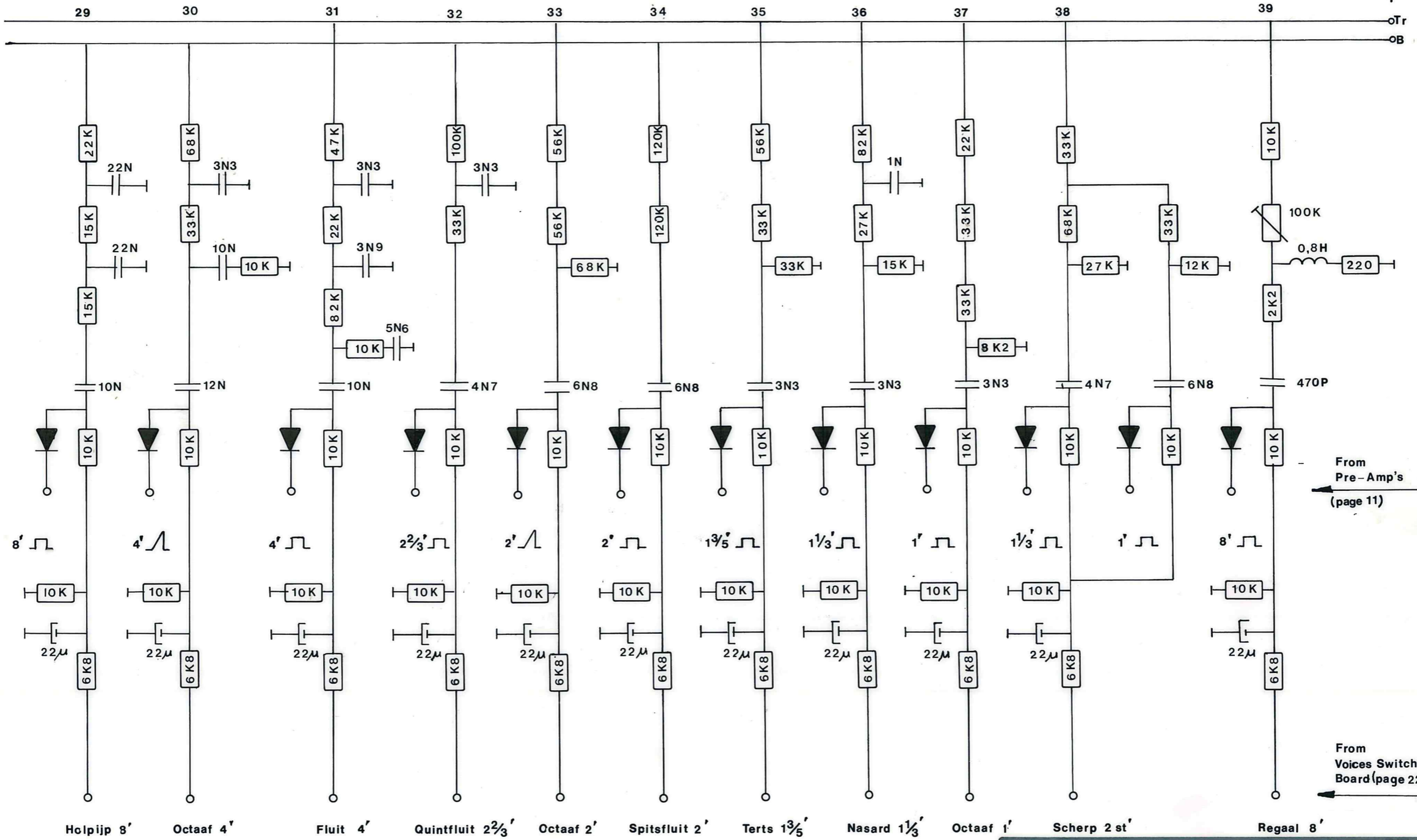
All diodes SO1

VOICES GREAT			
Drawn	Date	Modified	Date
G. Kremer	10-8-'78		
DESIGN			
J. Versteegt			
copyright:		JOHANNUS	
J. VERSTEEGT		ORGELBOUW b.v.	
		morsestraat 28 6716 AH EDE HOLLAND Tel. 08380-19148*	
			page: 14

JOHANNUS ORGAN OPUS 60



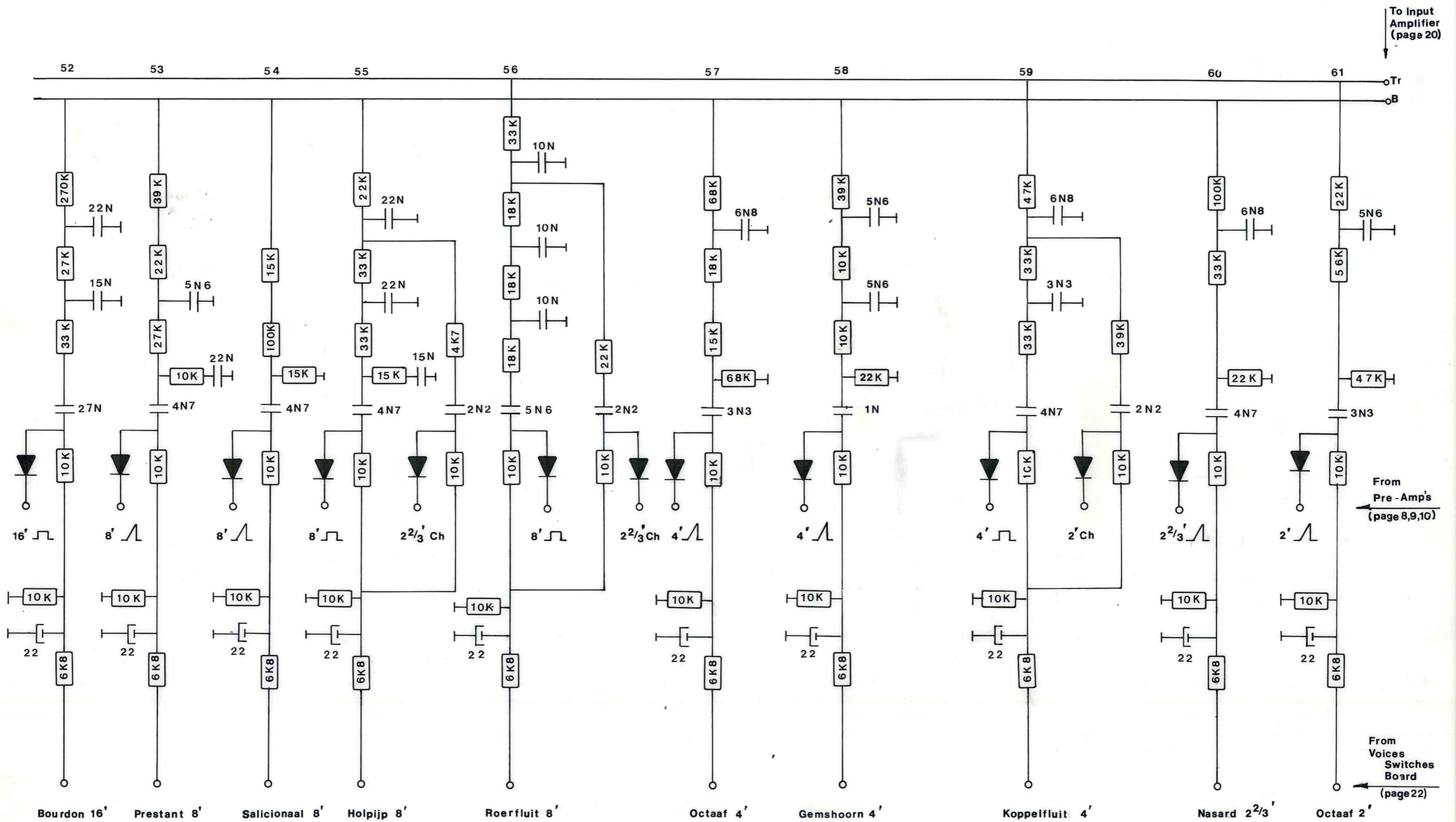
To Input Amplifiers (page 20)



VOICES CHOIR			
Drawn	Date	Modified	Date
G K	15 11 78		
DESIGN			
copyright:		JOHANNUS	
J. VERSTEEGT		ORGELBOUW b.v.	
		morsestraat 28 6716 AH EDE HOLLAND Tel. 08380-19148*	
			page: 15

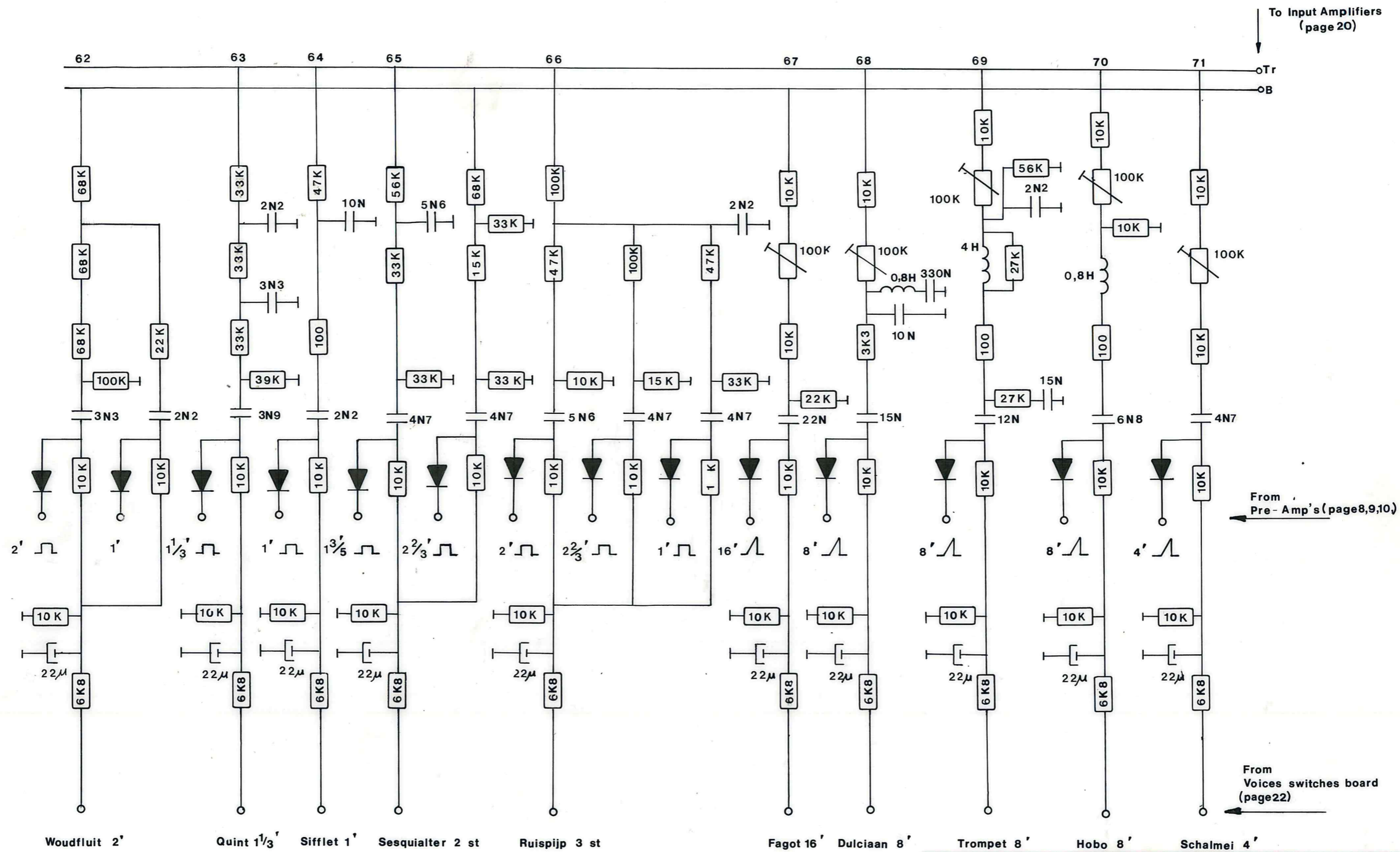
JOHANNUS  
ORGAN  
OPUS 60





VOICES SWELL			
Drawn	Date	Modified	Date
G K	17 11 78		
DESIGN			
copyright:		JOHANNUS	
J. VERSTEEGT		ORGELBOUW b.v.	
		morsestraat 28	
		6716 AH EDE HOLLAND	
		Tel. 08380-19148*	
			page:
			16

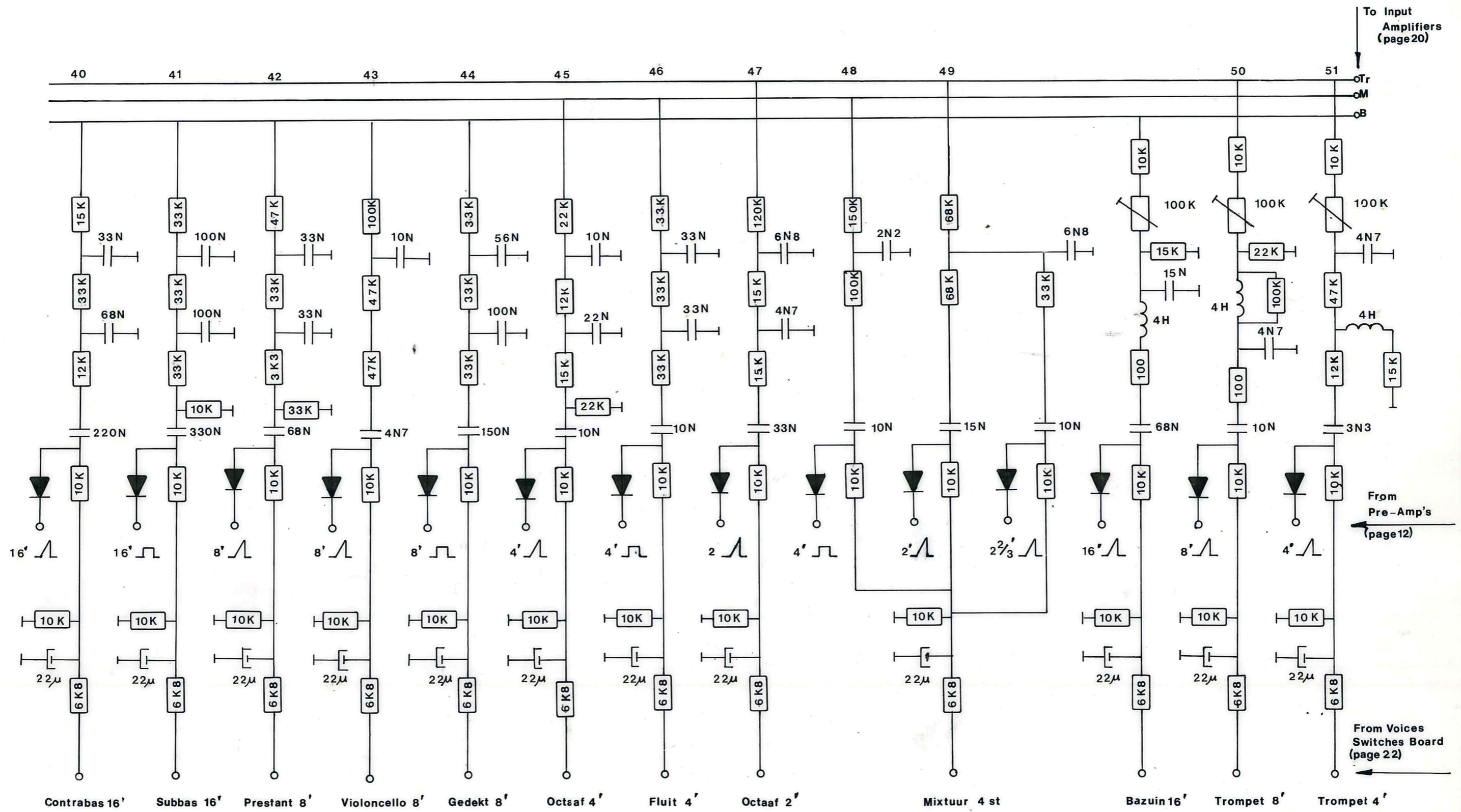




VOICES SWELL			
Drawn	Date	Modified	Date
G K	20 11 78		
DESIGN			
copyright:		JOHANNUS	
J. VERSTEEGT		ORGELBOUW b.v.	
		morsestraat 28 6716 AH EDE HOLLAND Tel. 08380-19148*	
			page: 17

JOHANNUS  
ORGAN  
OPUS 60





VOICES PEDAL			
Drawn	Date	Modified	Date
G K	15-11-78		
DESIGN			
copyright:		JOHANNUS	
J. VERSTEEGT		ORGELBOUW b.v.	
		morsestraat 28	
		6716 AH EDE HOLLAND	
		Tel. 08380-19148	
			page:
			18



40	41	42	43	44	45	46	47	48	49	50	51
							TI	TI		TI	TI
					MI	MI		MI			
BI	BI	BI	BI	BI					BI		
F	P	MF		PP	F	FF	FF	FF	ta T	ta F	ta F

PEDAL

52	53	54	55	56	57	58	59	60	61	62	63	64	65	66	67	68	69	70	71
				TIII			TIII		TIII		TIII	TIII	TIII	TIII		TIII	TIII	TIII	TIII
BIII	BIII	BIII	BIII		BIII	BIII		BIII		BIII			BIII		BIII				
T	FF	FF	F	PP	MF	T	P	MF	F	F	FF	T	T	FF	ta T	ta T	ta F	ta T	ta T

SWELL

Stop Number

Amplifier Connection

Preset Matrix Connection

Couple II-I  
 " III-I  
 " III-II  
 " P-I  
 " P-II  
 " P-III  
 Tremulant I  
 " III  
 Pedaalsterkte I  
 " II  
 Chorus  
 Echo

1	2	3	4	5	6	7	8	9	10	11	12
T	T	T	T	T	T						

ACCESSORIES

13	14	15	16	17	18	19	20	21	22	23	24	25	26	27	28
						TI	TI	TI			TI	TI			TI
			MI	MI		MI				MI	MI				MI
BI	BI				BI									BI	
FF	MF	T	PP	T	MF	P	F	F	FF		T	FF	ta T	ta F	ta T

GREAT

29	30	31	32	33	34	35	36	37	38	39
		TII		TII		TII	TII	TII	TII	TII
BII	BII		BII		BII					
PP	MF	P	FF	F	F		FF	FF	T	ta T

CHOIR

Stop Number

Amplifier Connection

Preset Matrix Connections

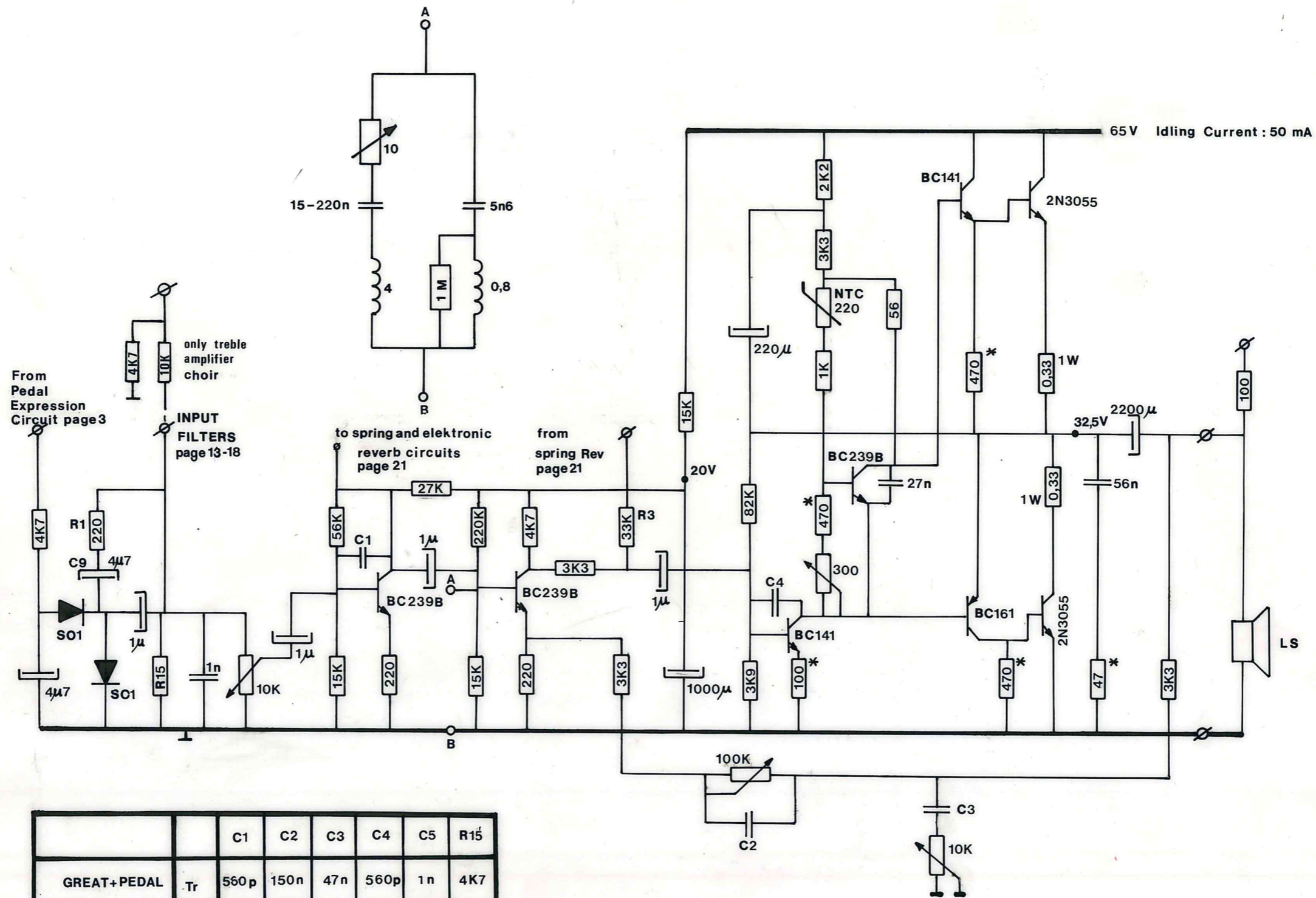
BI : Bass amplifier }  
 MI : Middle " } GREAT  
 TI : Treble " }  
 BII : Bass " } CHOIR  
 TII : Treble " }  
 BIII : Bass " } SWELL  
 TIII : Treble " }

**FILTER- PRESET MATRIX,**

**FILTER-AMPLIFIER CONNECTIONS**

Drawn	Date	Modified	Date	JOHANNUS ORGAN OPUS 60
G. Kremer	23-8-'78			
DESIGN				
J. Versteegt				
copyright: J. VERSTEEGT		JOHANNUS ORGELBOUW b.v.		morsestraat 28 6716 AH EDE HOLLAND Tel. 08380-19148*
				page: <b>19</b>





		C1	C2	C3	C4	C5	R15
GREAT+PEDAL	Tr	560p	150n	47n	560p	1n	4K7
"	M	2n2	150n	100n	1n5	1n	4K7
"	B	4n7	100n	330n	6n8	1n	10K
CHOIR	Tr	1n	68n	47n	470p	1n	4K7
"	B	4n7	150n	150n	4n7	1n	4K7
SWELL	Tr	560p	68n	47n	220p	1n	4K7
"	B	2n2	100n	150n	4n7	1n	10K

\*On ceramic stand. off's.  
 R1+C9 fails in bassamplifier  
 R3 : 10K Bassampl. only.

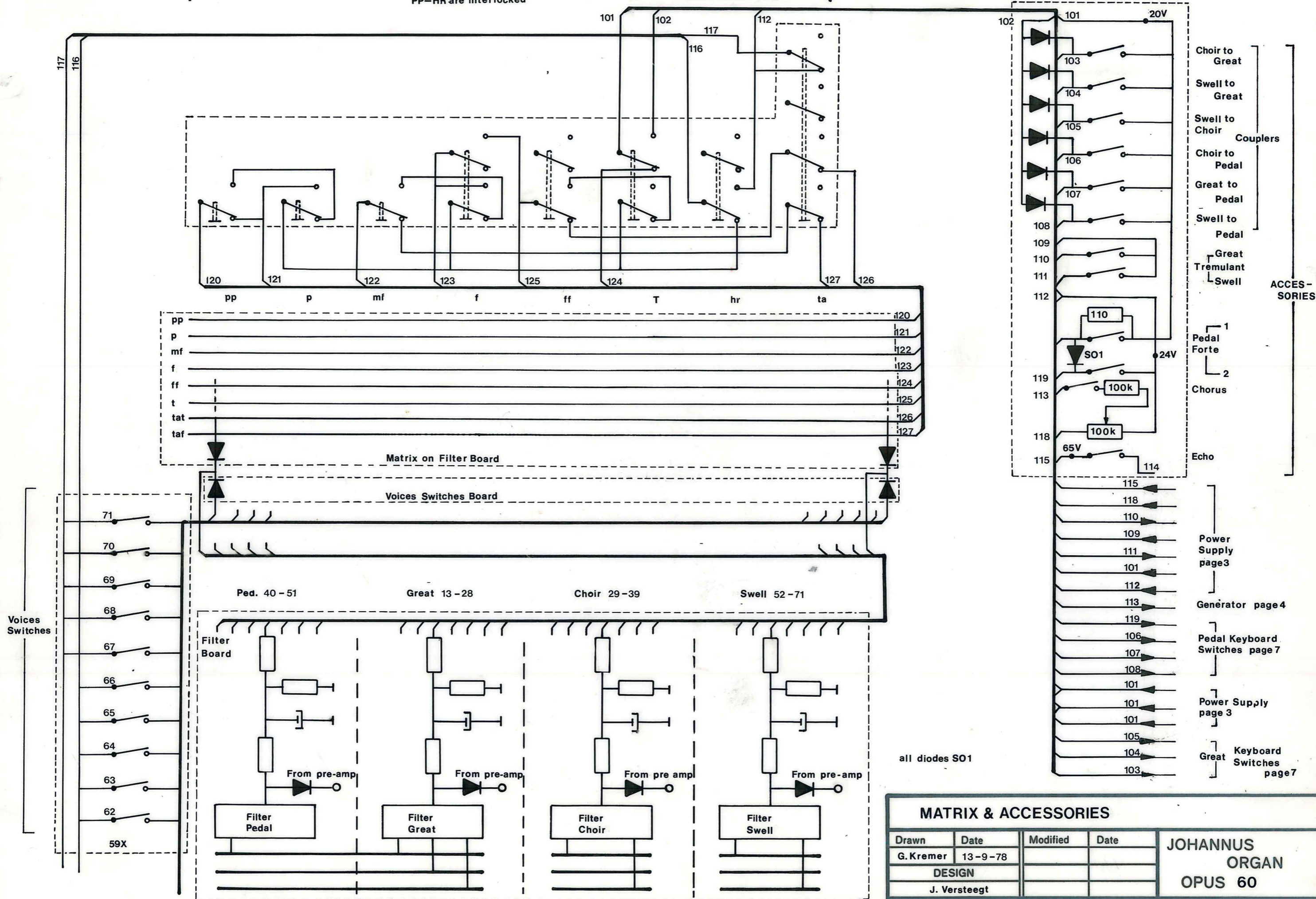
UNIVERSAL AMPL. CIRC.				JOHANNUS ORGAN OPUS 60
Drawn	Date	Modified	Date	
G. Kremer	7-8-'78			
DESIGN				
J. Versteegt				
copyright: J. VERSTEEGT		JOHANNUS ORGELBOUW b.v.		morsestraat 28 6716 AH EDE HOLLAND Tel. 08380-19148*
				page: 20







Preset Switches  
PP-HR are interlocked

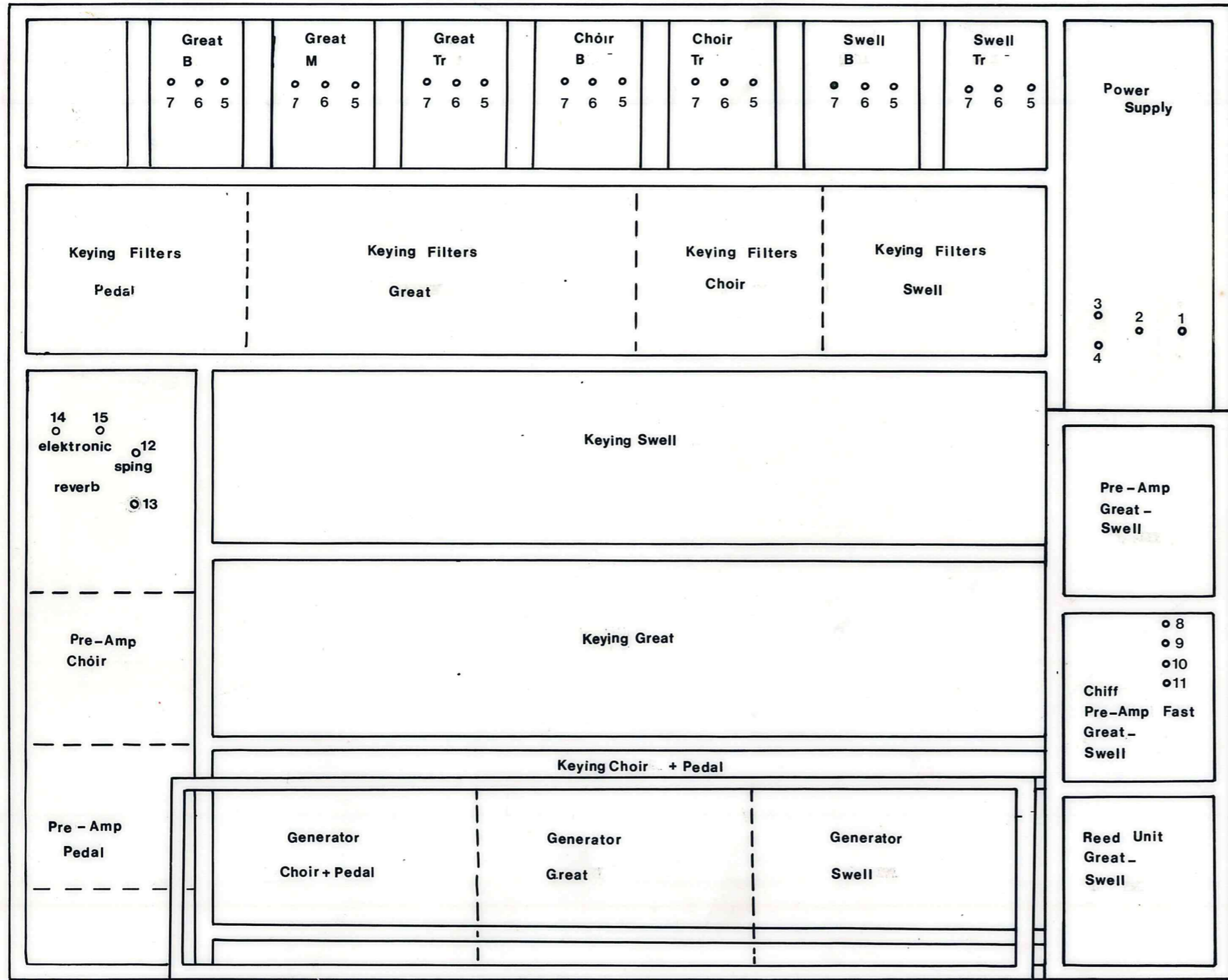


all diodes SO1

**MATRIX & ACCESSORIES**

Drawn	Date	Modified	Date	<b>JOHANNUS ORGAN OPUS 60</b>
G. Kremer	13-9-78			
<b>DESIGN</b>				
J. Versteegt				
copyright: J. VERSTEEGT		JOHANNUS ORGELBOUW b.v.		morsestraat 28 6716 AH EDE HOLLAND Tel. 08380-19148*
				page: <b>22</b>



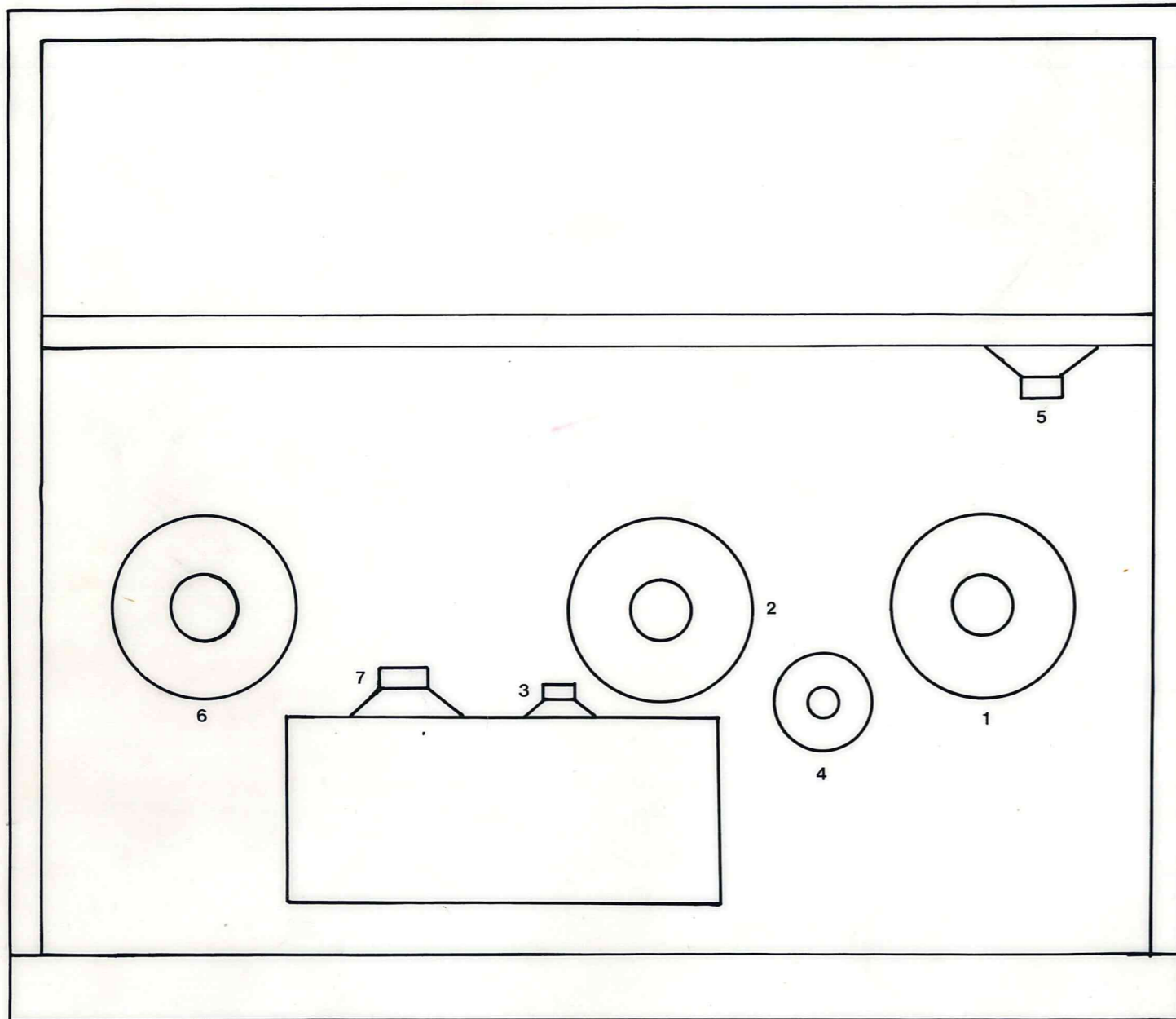


- 1 Hick depth
- 2 Tremulant speed Man I-II-III
- 3,4 Tremulant depth
- 5 Volume control
- 6 Tone control treble
- 7 Tone control bass
- 8 2<sup>2</sup>/<sub>3</sub> Chiff
- 9 1 "
- 10 2 "
- 11 4 "
- 12 Input echo
- 13 Output echo
- 14 Inputs electronic reverb [ A
- 15 [ B

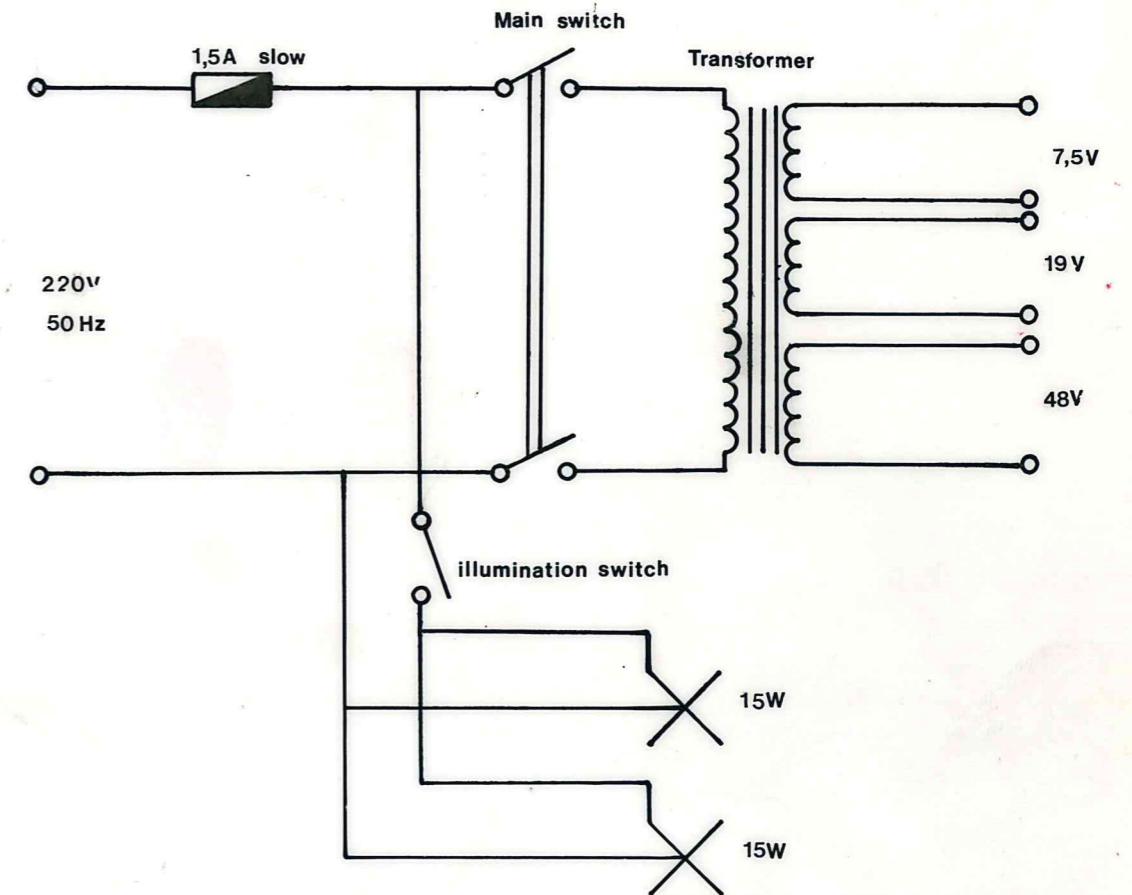
CONTROLS			
Drawn	Date	Modified	Date
G Kremer	14-8-'78		
DESIGN			
J. Versteegt			
copyright:	JOHANNUS	morsestraat 28	page:
J. VERSTEEGT	ORGELBOUW b.v.	6716 AH EDE HOLLAND	23
		Tel. 08380-19148*	

JOHANNUS  
ORGAN  
OPUS 60





- |   |          |        |         |
|---|----------|--------|---------|
| 1 | AD 12100 | Bass   | } Great |
| 2 | AD 12100 | Middle |         |
| 3 | AD 5061  | Treble | } Choir |
| 4 | AD 5061  | Bass   |         |
| 5 | AD 7063  | Treble | } Swell |
| 6 | AD 12100 | Bass   |         |
| 7 | AD 7063  | Treble |         |



SPEAKERCONNECTION AND MAIN SUPPLY			
Drawn	Date	Modified	Date
G Kremer	22-8-78		
DESIGN			
J.Versteegt			
copyright: J. VERSTEEGT		JOHANNUS ORGELBOUW b.v.	morsestraat 28 6716 AH EDE HOLLAND Tel. 08380-19148*
			page: 24